

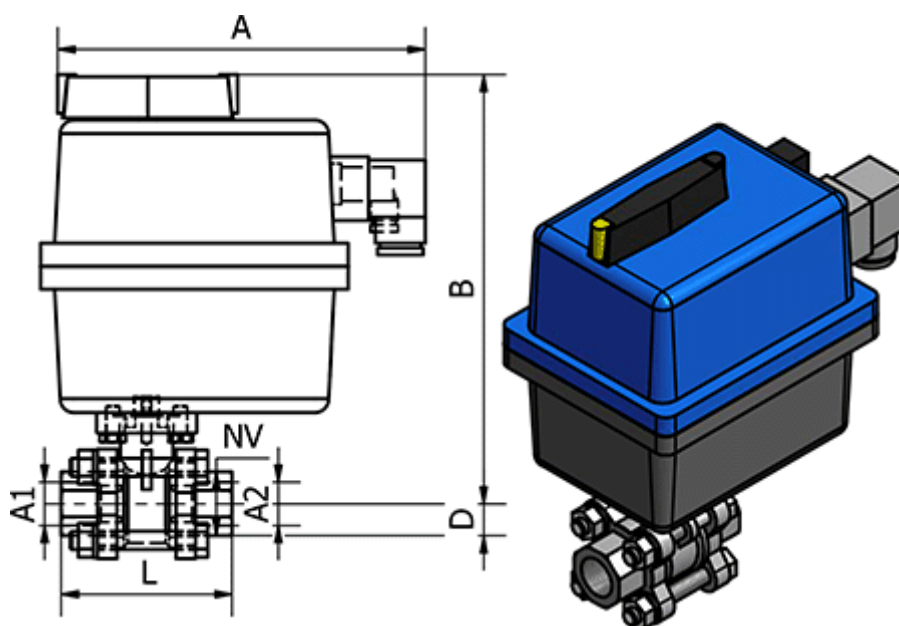
Data Sheet



Article number: 5863503811

Description: Ball Valve 350.3811, G 3/4" - G 3/4"
Thread/Thread

Measures



= -	Connecting A2	= G 3/4"
= -	D	= 27
= -	L	= 73
= -	Max. Operating Pressure	= 40 bar
= -	NV	= 35

A = 177

B = 193

Connecting A1 = G 3/4"